

LEADED TYPE M-CONTROLLED CRYSTAL OSCILLATORS
 (Rohs Compliant / Lead Free)
MCXO 20.8x13.2mm (AP-MCXO20L Series)

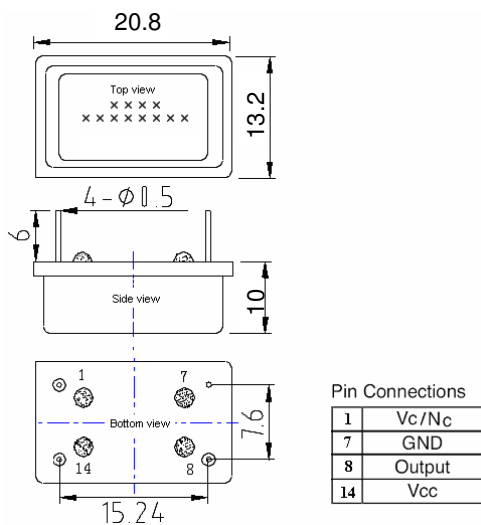


- SPECIFICATIONS

FREQUENCY RANGE	0.625MHz TO 320MHz	
FREQUENCY STABILITY	±0.1, ±0.5PPM	±0.05, ±0.28PPM
OPERATING TEMPERATURE	-40°C TO +85°C	-20°C TO +70°C
FREQUENCY STABILITY VS CALIBRATION	±0.5PPM MAX.	
FREQUENCY STABILITY VS AGING	±1PPM/YEAR MAX, ±0.5PPM/YEAR MAX.	
STORAGE TEMPERATURE RANGE	-50°C TO +90°C	
OUTPUT WAVEFORM	TTL / HCMOS	CLIPPED SINEWAVE
LOAD	4 TTL or 15pF	10K Ω / 10pF
DUTY	40% ~ 60% TYPICAL	
RISE AND FALL TIME	10nS MAX.	
CURRENT	10mA MAX.(F), 10mA MAX.(O), 25mA MAX.(P11)	
FREQUENCY STABILITY VS LOAD VARIATION	±0.1PPM MAX. FOR ±10% VARIATION FROM STANDRAD LOAD	
SUPPLY VOLTAGE (Vcc)	+12VDC±5%, +5VDC±5%, +3.3VDC±5% (OPTIONAL)	
FREQUENCY STABILITY VS SUPPLY VARIATION	±0.1PPM MAX. FOR ±5% VARIATION FROM NOMINAL SUPPLY	
PHASE NOISE	1KHz: -130dBc / Hz (NO PLL), -120dBc / Hz (PLL)	
PULLING	N: No frequency adjustment TCXO D: frequency adjustment VC-TCXO ±8ppm (TYPICAL)	

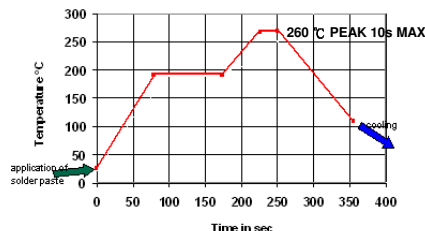


- OUTLINE DIMENSIONS



Unit: mm

- SOLDER REFLOW PROFILE



ORDERING CODE SYSTEM (VERSION 1.1 UPDATED MAY 2008)				EXAMPLE:
SERIES	STABILITY	FREQUENCY	INPUT VOLTAGE	AP-MCXO20L01-40-3.3
AP-MCXO20L	005: ±0.05PPM 01: ±0.1PPM 028: ±0.28PPM 05: ±0.5PPM	IN MHZ	3.3	

NON STANDARD FREQUENCIES AND SPECIFICATIONS ARE AVAILABLE ON REQUEST

ActPro Ltd. (APX-Crystal) PROREP EDGE Meditronics PTE Ltd.	HONG KONG FRANCE SINGAPORE	Email: sales@apx-crystal.com Email: sales@prorep.fr Email: sales@edgemeditronics.com.sg	Internet: www.apx-crystal.com Internet: www.prorep.fr Internet: www.edgemeditronics.com.sg	Tel: 852-3625 2368 Tel: 33-1-4812 1736 Tel: 65-6455 0521	Fax: 852-2633 8503 Fax: 33-1-4812 1739 Fax: 65-6455 0857
--	----------------------------------	---	--	--	--

Specifications are subject to change without notice